



Short form catalogue

Compact cylinders Series 32



Air that moves the world

Camozzi spa
Società Unipersonale
 Via Eritrea, 20/I
 25126 Brescia
Italy
 Tel. int.+39+030+37921
 Fax int.+39+030+2400430
 info@camozzi.com
 www.camozzi.com

Camozzi GmbH Pneumatic
 Porschestraße 1
 73095 Albershausen
Germany
 Tel. int.+49+7161+910100
 Fax int.+49+7161+9101099
 info@camozzi.de
 www.camozzi.de

Camozzi GmbH Pneumatic
 Löfflerweg 18
 A-6060 Hall in Tirol
Austria
 Tel. int.+43+5223+52888-0
 Fax int.+43+5223+52888-500
 info@camozzi.at
 www.camozzi.at

Camozzi Pneumatics Ltd.
 The Fluid Power Centre
 Watling Street
 Nuneaton - Warwickshire
 CV 11 6BQ
Great Britain
 Tel. int.+44+24+7637 4114
 Fax int.+44+24+76347520
 www.camozzi.co.uk
 info@camozzi.co.uk

Camozzi Pneumatique
 5, Rue Louis Gattefossé
 Parc de la Bandonnière
 69800 Saint Priest
France
 Tel. int.+33+478+213408
 Fax int.+33+472+280136
 info@camozzi.fr
 www.camozzi.fr

Camozzi Benelux B.V.
 De Vijf Boeken 1 A
 2911 BL Nieuwerkerk a/d IJssel
The Netherlands
 Tel. int.+31+180+316677
 Fax int.+31+180+316616
 info@camozzi.nl
 www.camozzi.nl

Camozzi Pneumatik AB
 Box 9214
 Bronsyxegatan 7
 20039 Malmö
Sweden
 Tel. int.+46+40+222580
 Fax int.+46+40+223878
 info@camozzi.se
 www.camozzi.se

Camozzi Aps
 Metalvej 7a
 4000 Roskilde
Denmark
 Tel. int.+45-46-750202
 Fax int.+45-46-750203
 info@camozzi.dk
 www.camozzi.dk

Camozzi Pneumatic Ltd.
 Floor 14, Leningradskaya Street, 1-A
 Himki, Moscow Region
 141400 Moscow
Russian Federation
 Tel. int.+7+495+2306961
 Fax int.+7+495+5754564
 info@camozzi.ru
 www.camozzi.ru

Camozzi-Pneumatic
 38 Larionova St
 95018 Simferopol
Ukraine
 Tel. int.+380+652+518198
 Fax int.+380+652+515700
 info@camozzi.com.ua
 www.camozzi.ru

Camozzi Pneumatic
 Karbusheva St. 2 Off. 412
 246029 Gomel
Byelorussia
 Tel. int.+375+232478064
 Fax int.+375+232478417
 camozzi@mail.gomel.by

Camozzi Pneumatic Kazakhstan LLP
 17, Naurizbai Batir Street, office 102
 050004, Almaty
Kazakhstan
 Tel/Fax int.+7+3272-445870/71
 info@camozzi.kz

Camozzi Pneumatics Inc.
 2160 Redbud Blvd., TX 75069
 P.O. Box 2386, TX 75070
 McKinney - Texas
U.S.A.
 Tel. int.+1+972+548-8885
 Fax int.+1+972+548-2110
 info@camozzi-usa.com
 www.camozzi-usa.com

Camozzi Neumatica S.A. de C.V.
 Av. Santa Ana 18
 Parque Industrial Lerma
 52000 Lerma
Mexico
 Tel. int.+52-728-2854153
 Fax int.+52-728-2850861
 camozzi@camozzi.com.mx
 www.camozzi.com/mx

Camozzi do Brasil Ltda.
 Rua Estácio de Sá, 1042
 CEP 13080-010 Campinas SP
Brazil
 Tel. int.+55-19-2137-4500
 Fax int.+55-19-2137-4530
 camozzi@camozzi.com.br
 www.camozzi.com/br

Camozzi Neumatica S.A.
 Prof. Dr. Pedro Chutro 3048
 1437 Buenos Aires
Argentina
 Tel. int.+54+11+49110816
 Fax int.+54+11+49124191
 info@camozzi.com.ar
 www.camozzi.com/arg

Camozzi Venezuela S.A.
 Calle 146 con Av. 62
 N°146-180
 P.O.Box 529
 Zona Industrial Maracaibo
 Edo. Zulia
Venezuela
 Tel. int.+58+261+7360216
 Fax int.+58+261+7360401
 info@camozzi.com.ve
 www.camozzi.com.ve

Camozzi Iran Co. Ltd.
 Motahari Ave. No. 243
 Teheran
Iran
 Tel. int.+9821-88732130
 Fax int.+9821-88738552
 adm-camir@safineh.net
 www.camozzi.com/ir

Shanghai Camozzi Pneumatic Control Components Co, Ltd.
 415, Ren De Road
 200434 Shanghai
China
 Tel. int.+86+21+65363650
 Fax int.+86+21+65360613
 info@camozzi.com.cn
 www.camozzi.com/cn

Shanghai Camozzi Automation Control Co, Ltd.
 717, Shuang Dan Road,
 Malu Town
 201801 Jiading Ind. District
 Shanghai
China
 Tel. int.+86+21+59100999
 Fax int.+86+21+59100333
 info@camozzi.com.cn
 www.camozzi.com/cn

Camozzi India Private Limited
 C-130 Phase II Ext., Hosiery Complex
 Noida - 201 305
 (uttar Pradesh) **India**
 Tel. int.+91+120+2560 061-65
 Fax int.+91+120+2568 866
 info@camozzi-india.com
 www.camozzi.com/in

Camozzi Malaysia SDN BHD
 30, Jalan Pemberita, U1/49
 Seksyen U1
 Temasya Industrial Park
 40150 Shah Alam
Malaysia
 Tel. int.+60+3+55690173
 Fax int.+60+3+55690171
 camozzi@myjaring.net

Technical assistance

Technical information
 Special products
 Tel. +39+030+3792390
 service@camozzi.com

Technical information
 Product information
 Site visit request
 Tel. +39+030+3792790
 service@camozzi.com



New

Compact magnetic cylinders Series 32 ISO 21287

Single and double-acting, non-rotating
∅ 20, 25, 32, 40, 50, 63, 80, 100.



- » Compact design
- » Wide variety of models available in different diameters
- » In compliance with ISO 21287

The cylinders Series 32 are, thanks to their compactness, suitable to be installed within confined spaces. Being in compliance with the ISO 21287 Standard, the cylinders Series 32 have the advantage that they can be used in conjunction with mountings/accessories suitable for other standard cylinders DIN/ISO 6431 / VDMA 24562 (Series 60/61).

General data

Type of construction	compact profile
Operation	single and double-acting, magnetic
Materials	anodized aluminium body and end blocks rolled stainless steel rod AISI 303 Anodized aluminium piston rod seal, OR end-block and piston seal in PU high temperatures: rod seal, OR end-block and piston in Viton (140°)
Mounting	with threaded holes on the end blocks flange – feet – trunnion
Stroke min – max (1)	Series 32F, 32M, 32R ∅ 20-25=5-300mm Series 32F, 32M, 32R ∅ 32-40-50-63=5-400mm Series 32F, 32M, 32R ∅ 80-100=5-500mm
Operating temperature	0° - 80°C (with dry air -20°C)

(1) the minimum stroke for the use of the sensors is 10 mm

Pneumatic specifications

Operating pressure	1-10 bar (double-acting) / 2-10 bar (single-acting)
Fluid	clean air, without lubrication (2)
Operation speed	10-1000mm/sec (without load)

(2) if lubricated air is used, it is recommended to use oil ISOVG32. Once applied the lubrication should never be interrupted.

TABLE SHOWING STANDARD STROKES FOR CYLINDERS SERIES 32

- * Non-rotating
- Double-acting, male/female rod thread
- Single-acting, front/rear spring, male/female rod thread

standard strokes											
∅	5	10	15	20	25	30	40	50	60	80	
20	✘●■	✘●■	✘●■	✘●■	✘●■	✘●■	✘●	✘●			
25	✘●■	✘●■	✘●■	✘●■	✘●■	✘●	✘●	✘●			
32	✘●■	✘●■	✘●■	✘●■	✘●■	✘●	✘●	✘●			
40	✘●■	✘●■	✘●■	✘●■	✘●■	✘●	✘●	✘●	✘●	✘●	✘●
50		✘●■	✘●■	✘●■	✘●■	✘●	✘●	✘●	✘●	✘●	✘●
63		✘●■	✘●■	✘●■	✘●■	✘●	✘●	✘●	✘●	✘●	✘●
80		✘●■	✘●■	✘●■	✘●■	✘●	✘●	✘●	✘●	✘●	✘●
100		✘●■	✘●■	✘●■	✘●■	✘●	✘●	✘●	✘●	✘●	✘●

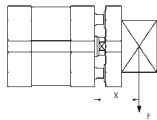
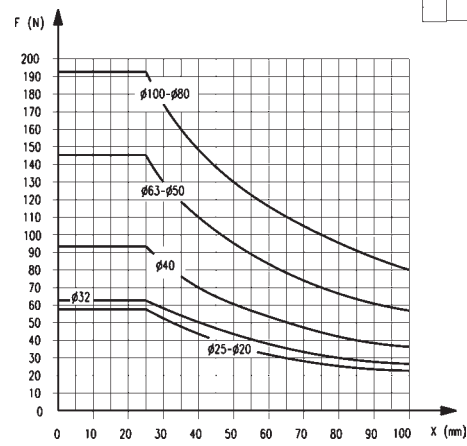
CODING EXAMPLE

32 M 2 A 032 A 050 -

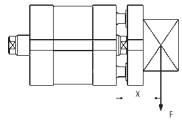
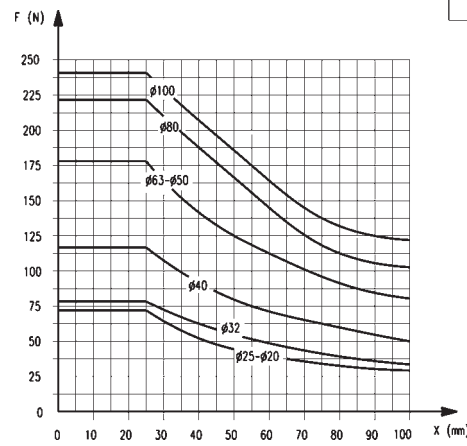
32	» SERIES compact magnetic
M	» VERSION M = male rod thread F = female rod thread R = non-rotating with flange (not single-acting)
2	» OPERATION 1 = single-acting, front spring 2 = double-acting 3 = double-acting, through rod 4 = single-acting, rear spring
A	» MATERIALS A = anodized aluminium body, end blocks and piston – rod seal, OR end block and piston seal in PU
032	» BORE 020 = ∅ 20 mm 032 = ∅ 32 mm 050 = ∅ 50 mm 080 = ∅ 80 mm 025 = ∅ 25 mm 040 = ∅ 40 mm 063 = ∅ 63 mm 100 = ∅ 100 mm
A	» CONSTRUCTION TYPE A = standard
050	» STROKE in mm see table
	» S = special V = Viton rod seal W = high temperatures (double-acting, non-magnetic with Viton seals for high temperatures 140°C)

Table of maximum allowed loads

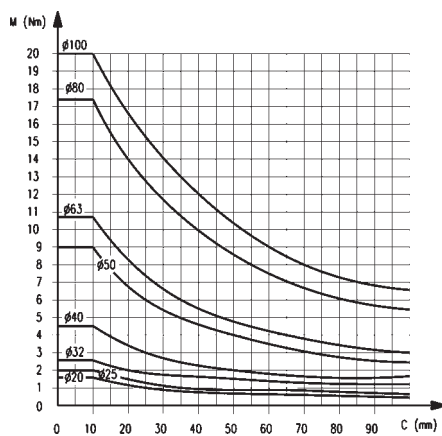
Non-rotating
Transversal load
dependant on stroke, see below.



Non-rotating through rod
Transversal load
dependant on stroke, see below.



Torque moment
Dependant on stroke C.

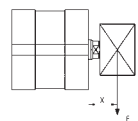
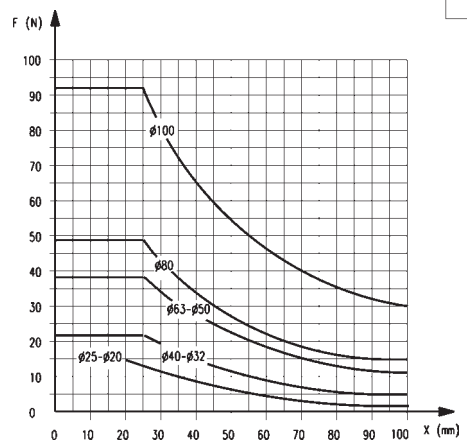


It is possible to use longer strokes as indicated in the general data (excluding radial loads and torque moments).

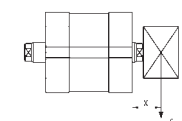
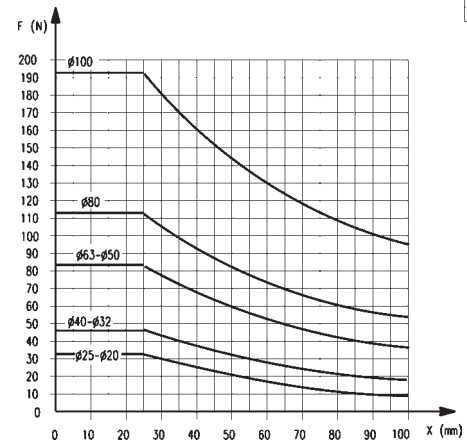
When imposing radial loads on the cylinder it is important to respect the maximum stroke of the barycenter.

In the presence of torque moments, respect the maximum stroke as shown in the diagrams.

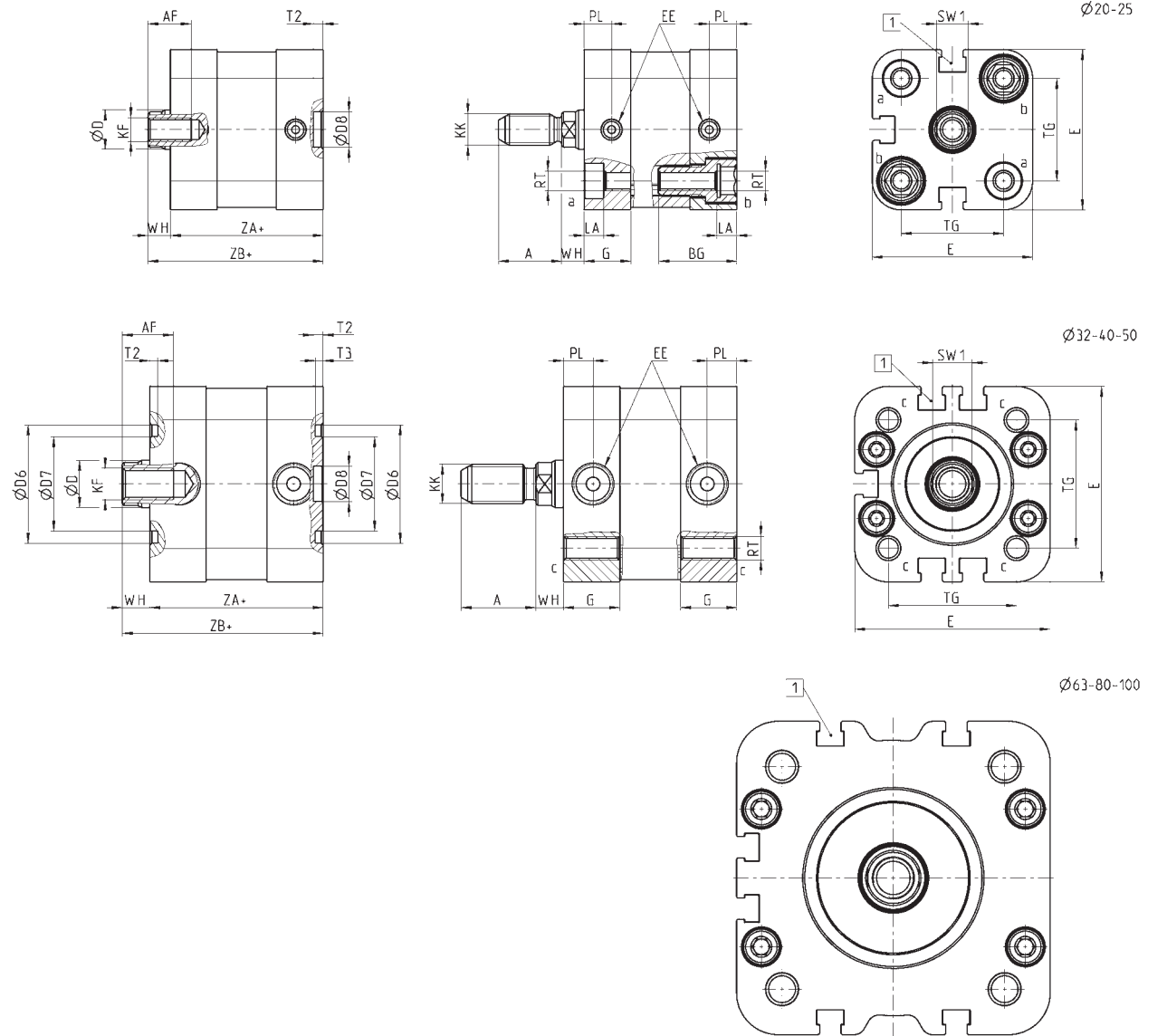
Transversal load
dependant on stroke.



Transversal load through-rod
dependant on stroke.



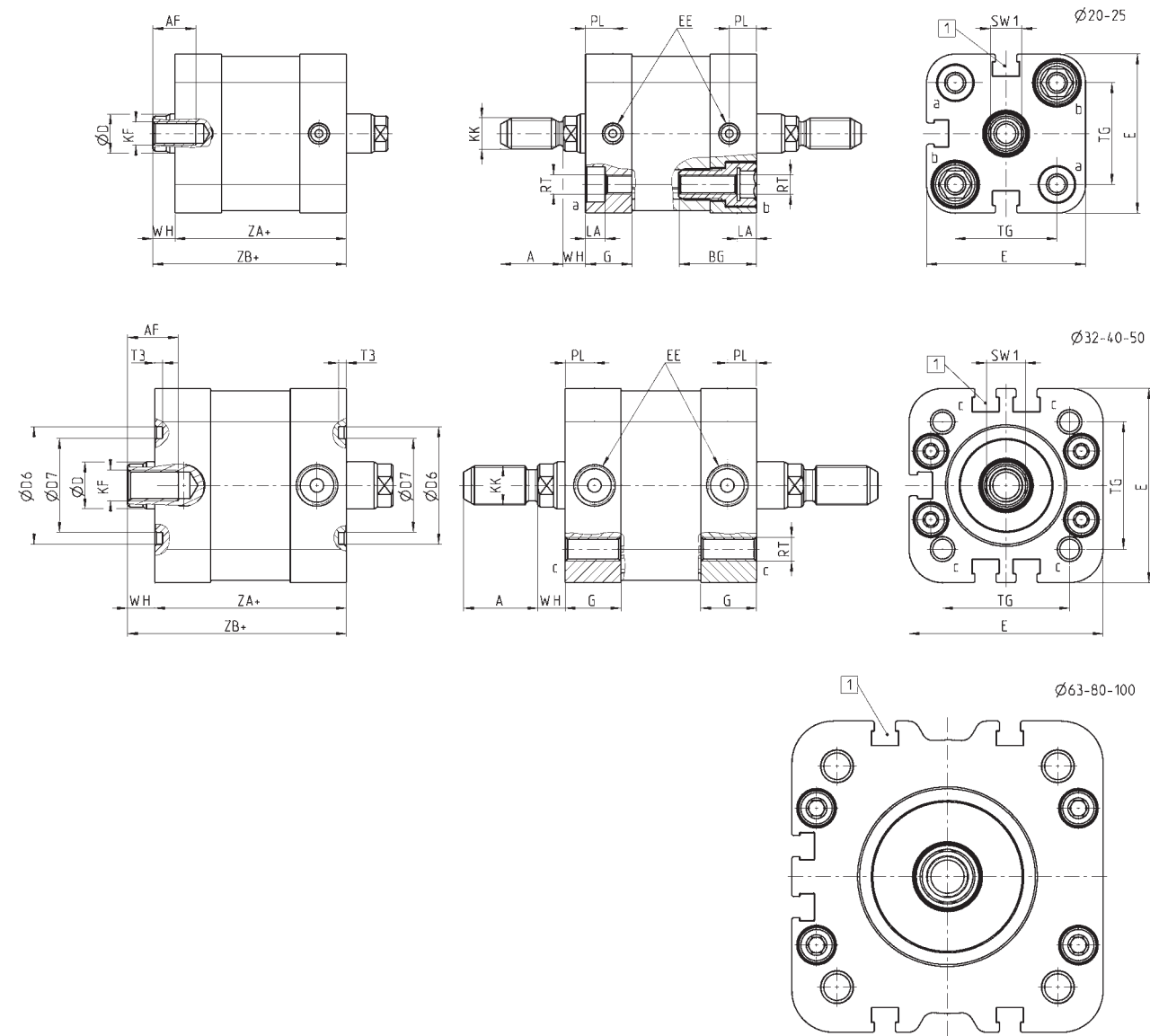
Compact magnetic cylinders Mod: 32F... and 32M...



DIMENSIONS

Ø	A	AF	BG	ØD	ØD6	ØD7	ØD8	E	EE	G	KF	KK	LA	PL	RT	SW1	T2	T3	TG	WH	ZA	ZB
20	16	11	19,8	10	-	-	9	35,8	M5	10,9	M6	M8X1,25	5	6,5	M5	8	2,5	-	22	5,7	36,8	42,5
25	16	11	19,8	10	-	-	9	40,7	M5	11,9	M6	M8X1,25	5	7	M5	8	2,5	-	26	5,7	38,8	44,5
32	19	13	-	12	30	24	9	49,6	G1/8	14,3	M8	M10X1,25	-	7,5	M6	10	2,5	2	32,5	7	44	51
40	19	13	-	12	35	29	9	57	G1/8	14,25	M8	M10X1,25	-	7,5	M6	10	2,5	2	38	7	45	52
50	22	16	-	16	40	34	12	69,6	G1/8	14,25	M10	M12X1,25	-	7,5	M8	13	3	2	46,5	8	45	53
63	22	16	-	16	45	39	12	79,6	G1/8	14	M10	M12X1,25	-	7,5	M8	13	3	2	56,5	8	49	57
80	28	20	-	20	45	39	12	95,6	G1/8	14,8	M12	M16X1,5	-	7,7	M10	17	3	2	72	9,5	54	63,5
100	28	20	-	25	55	49	12	115,6	G1/8	18	M12	M16X1,5	-	8	M10	22	3	2	89	9,7	66,8	76,5

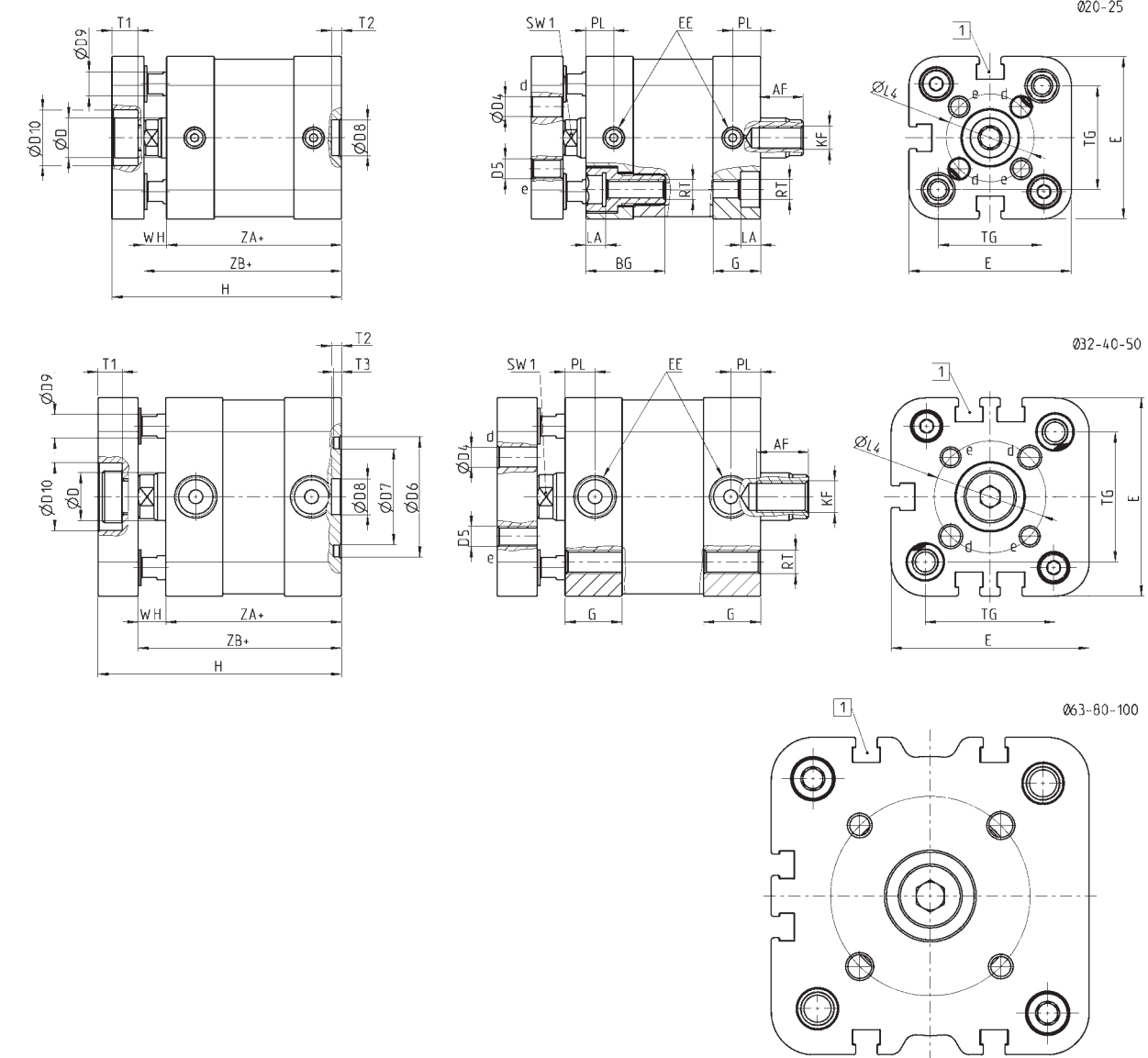
Compact magnetic cylinders Mod: 32F3... and 32M3...



DIMENSIONS																				
Ø	A	AF	BG	ØD	ØD6	ØD7	E	EE	G	KF	KK	LA	PL	RT	SW1	T3	TG	WH	ZA	ZB
20	16	11	19,8	10	-	-	35,8	M5	10,9	M6	M8x1,25	5	6,5	M5	8	-	22	5,7	36,8	42,5
25	16	11	19,8	10	-	-	40,7	M5	11,9	M6	M8x1,25	5	7	M5	8	-	26	5,7	38,8	44,5
32	19	13	-	12	30	24	49,6	G1/8	14,3	M8	M10x1,25	-	7,5	M6	10	2	32,5	7	44	51
40	19	13	-	12	35	29	57	G1/8	14,25	M8	M10x1,25	-	7,5	M6	10	2	38	7	45	52
50	22	16	-	16	40	34	69,6	G1/8	14,25	M10	M12x1,25	-	7,5	M8	13	2	46,5	8	45	53
63	22	16	-	16	45	39	79,6	G1/8	14	M10	M12x1,25	-	7,5	M8	13	2	56,5	8	49	57
80	28	20	-	20	45	39	95,6	G1/8	14,8	M12	M16x1,5	-	7,7	M10	17	2	72	9,5	54	63,5
100	28	20	-	25	55	49	115,6	G1/8	18	M12	M16x1,5	-	8	M10	22	2	89	9,7	66,8	76,5

The company reserves the right to vary models and dimensions without notice. These products are designed for industrial applications and are not suitable for sale to the general public.

Compact magnetic cylinders Mod: 32R...



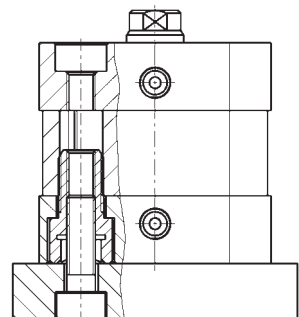
DIMENSIONS																											
Ø	AF	BG	ØD	ØD4	D5	ØD6	ØD7	ØD8	ØD9	ØD10	E	EE	G	H	KF	LA	ØL4	PL	RT	SW1	T1	T2	T3	TG	WH	ZA	ZB
20	11	19,8	10	4	M4	-	-	9	6	10,5	35,8	M5	10,9	55,5	M6	5	17	6,5	M5	8	6,2	2,5	-	22	5,7	36,8	42,5
25	11	19,8	10	5	M5	-	-	9	6	14	40,7	M5	11,9	57,5	M6	5	22	7	M5	8	6,5	2,5	-	26	5,7	38,8	44,5
32	13	-	12	5	M5	30	24	9	6	17	49,6	G1/8	14,3	61	M8	-	28	7,5	M6	10	6,1	2,5	2	32,5	7	44	51
40	13	-	12	5	M5	35	29	9	6	17	57	G1/8	14,25	62	M8	-	33	7,5	M6	10	6,1	2,5	2	38	7	45	52
50	16	-	16	6	M6	40	34	12	10	22	69,6	G1/8	14,25	65	M10	-	42	7,5	M8	13	7,6	3	2	46,5	8	45	53
63	16	-	16	6	M6	45	39	12	10	22	79,6	G1/8	14	69	M10	-	50	7,5	M8	13	7,6	3	2	56,5	8	49	57
80	20	-	20	8	M8	45	39	12	12	24	95,6	G1/8	14,8	77,5	M12	-	65	7,7	M10	17	10,5	3	2	72	9,5	54	63,5
100	20	-	25	10	M10	55	49	12	12	24	115,6	G1/8	18	90,7	M12	-	80	8	M10	22	10,5	3	2	89	9,7	66,8	76,5

The company reserves the right to vary models and dimensions without notice. These products are designed for industrial applications and are not suitable for sale to the general public.

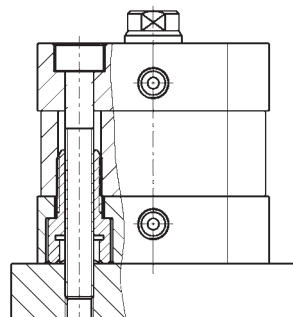
Mounting examples

The cylinder can be mounted by means of screws on the end caps, or by means of long screws/tie-rods through the cylinder body. With cylinder Series 32 it is recommended to use sensors Mod. CSH..., since they can be inserted from above. N.B. When using mounting through the cylinder body, use non magnetic fixings.

Mounting with screws on the body.



Mounting with screws through the body.



Accessories

Mod. B-41-Ø



Mod. D-E-41-Ø



Mod. C-41-Ø / C-H-41-Ø



Mod. C-41-Ø / C-H-41-Ø / H-41-Ø



Accessories

Mod. L-41-Ø



Mod. R-41-Ø (not defined by the standard).



Mod. C+L+S-Ø



Mod. ZC-Ø



Mod. S-Ø



Mod. I-Ø20-25



Compact magnetic cylinders Series 32

Tandem and multi-position versions

ISO 21287*

New



Double-acting, magnetic, \varnothing 25, 40, 63, 100.

*Except overall length.



- » Up to 4 times the force of a standard cylinder
- » Three positions with only one cylinder
- » Compact and space saving

The cylinder Series 32 Tandem and multi-position versions are, thanks to their compactness, suitable to be installed within confined spaces.

They can be used in conjunction with the same mounting elements of other standard cylinders DIN/ISO 6431/VDMA 24562 (Series 60/61).

The extreme compact Tandem version allows to obtain up to 4 times the force of a normal cylinder, while the multi-position version allows to obtain up to three positions with only one cylinder.

General data

Type of construction	compact profile
Operation	double-acting, magnetic
Materials	anodized aluminium body and end blocks rolled stainless steel rod AISI 303 anodized aluminium piston rod seal, OR end block and piston seal in PU
Mounting	with threaded holes on the end blocks flange – feet – trunnion
Min. and max strokes (1)	Series 32F, 32M \varnothing 20-25 = 5-300mm Series 32F, 32M \varnothing 32-40-50-63=5-400mm Series 32F, 32M \varnothing 80-100=5-500mm
Operating temperature	0° - 80°C (with dry air -20°C)

(1) the minimum stroke for the use of the sensors is 10 mm.

Pneumatic specifications

Operating pressure	1-10 bar (double-acting) / 2-10 bar (single-acting)
Fluid	clean air, without lubrication (2)
Operation speed	10-1000mm/sec (without load)

(2) if lubricated air is used, it is recommended to use oil ISOVG32. Once applied the lubrication should never be interrupted.

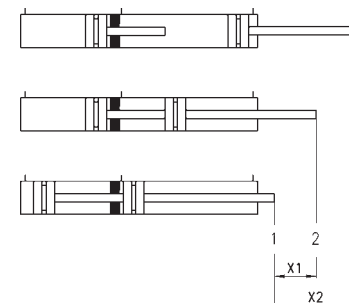
CODING EXAMPLE

32 M 2 A 040 A 050 N 2

32	» SERIES compact magnetic
M	» VERSION M = male rod thread F = female rod thread
2	» OPERATION 2 = double-acting
A	» MATERIALS A = anodized aluminium body, end blocks and piston – rod seal, OR end-block and piston seal in PU
040	» BORE 025 = \varnothing 25 mm 063 = \varnothing 63 mm 040 = \varnothing 40 mm 100 = \varnothing 100 mm
A	» CONSTRUCTION TYPE A = standard
050	» STROKE in mm - tandem stroke in mm - multi-position X1mm/X2mm (see application schemes) N.B. insert stroke without the initial 0
N	» Tandem and multi-position
2	» STAGES (only for tandem) 2 = 2 stages

Operation scheme

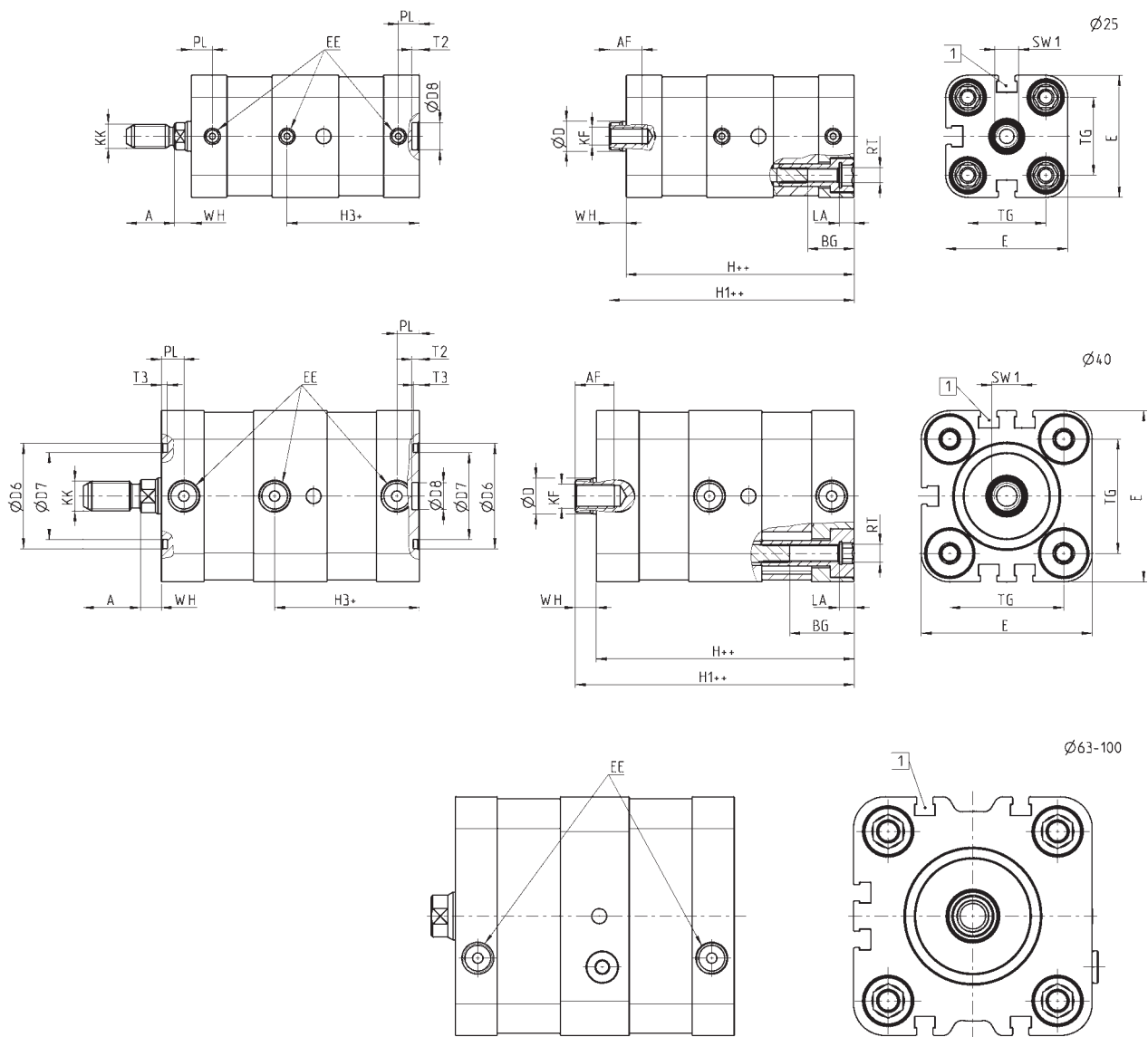
Multi-position
Example: **32M2A040A25/75N**
X1=25 X2=75 mm.



Tandem
Example: **32M2A040A050N2**
Stroke 50 mm.



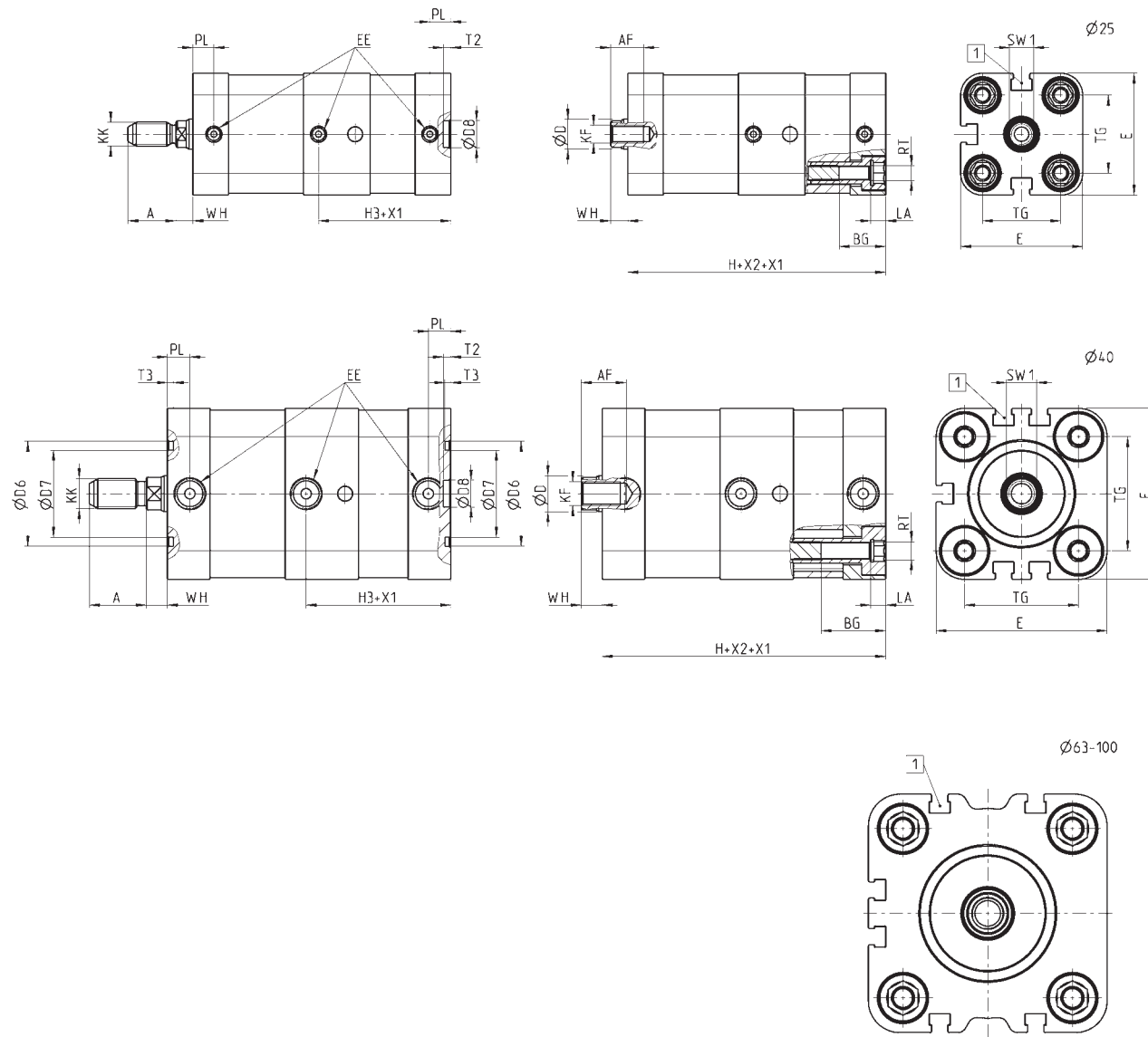
Compact magnetic cylinders Mod: 32F2A/32M2A...N...(Tandem)



DIMENSIONS																						
Ø	A	AF	BG	ØD	ØD6	ØD7	ØD8	E	EE	H	H1	H3	KF	KK	LA	PL	RT	SW1	T2	T3	TG	WH
25	16	11	15,5	10	-	-	9	40,7	M5	76	81,7	44,1	M6	M8x1,25	5	7	M5	8	2,5	-	26	5,7
40	19	13	21,5	12	35	29	9	57	G1/8	86	93	48,25	M8	M10x1,25	5	7,5	M6	10	2,5	2	38	7
63	22	16	21	16	45	39	12	79,6	G1/8	93	101	-	M10	M12x1,25	5	7,5	M8	13	3	2	56,5	8
100	28	20	26	25	55	49	12	115,6	G1/8	121	130,7	-	M12	M16x1,5	5	8	M10	22	3	2	89	9,7

The company reserves the right to vary models and dimensions without notice. These products are designed for industrial applications and are not suitable for sale to the general public.

Compact magnetic cylinders Mod: 32F2A/32M2A...X1/...X2 (Multi-position)



DIMENSIONS																					
Ø	A	AF	BG	ØD	ØD6	ØD7	ØD8	E	EE	H	H3	KF	KK	LA	PL	RT	SW1	T2	T3	TG	WH
25	16	11	15,5	10	-	-	9	40,7	M5	76	44,1	M6	M8x1,25	5	7	M5	8	2,5	-	26	5,7
40	19	13	21,5	12	35	29	9	57	G1/8	86	48,25	M8	M10x1,25	5	7,5	M6	10	2,5	2	38	7
63	22	16	21	16	45	39	12	79,6	G1/8	93	44	M10	M12x1,25	5	7,5	M8	13	3	2	56,5	8
100	28	20	26	25	55	49	12	115,6	G1/8	121	60,5	M12	M16x1,5	5	8	M10	22	3	2	89	9,7

The company reserves the right to vary models and dimensions without notice. These products are designed for industrial applications and are not suitable for sale to the general public.

