

Compact minicylinders Series 14

Single-acting
 ø 6 - 10 - 16
 Strokes 5, 10, 15
 with Super-rapid fitting ø 4 and M5 port

The single-acting compact minicylinder Series 14, has been designed for installation in small spaces. The design allows the cylinders to be inserted into threaded blocks incorporated in the machine or through holes in plates and secured by half nuts (supplied).

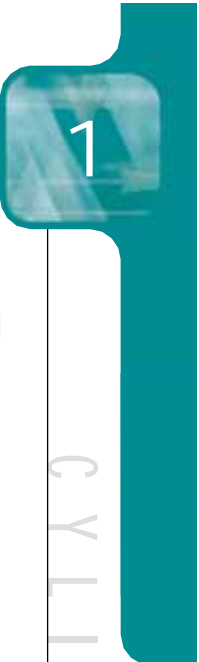
All of the minicylinders are supplied with a Super-Rapid fitting incorporated in a tube dia. 4 or with a M5 thread. They are available in two versions with either a threaded or a non threaded piston rod. The available strokes for the minicylinders are shown in the tables below.



- ▶ Compact design
- ▶ With threaded or non threaded piston rod
- ▶ Threaded body

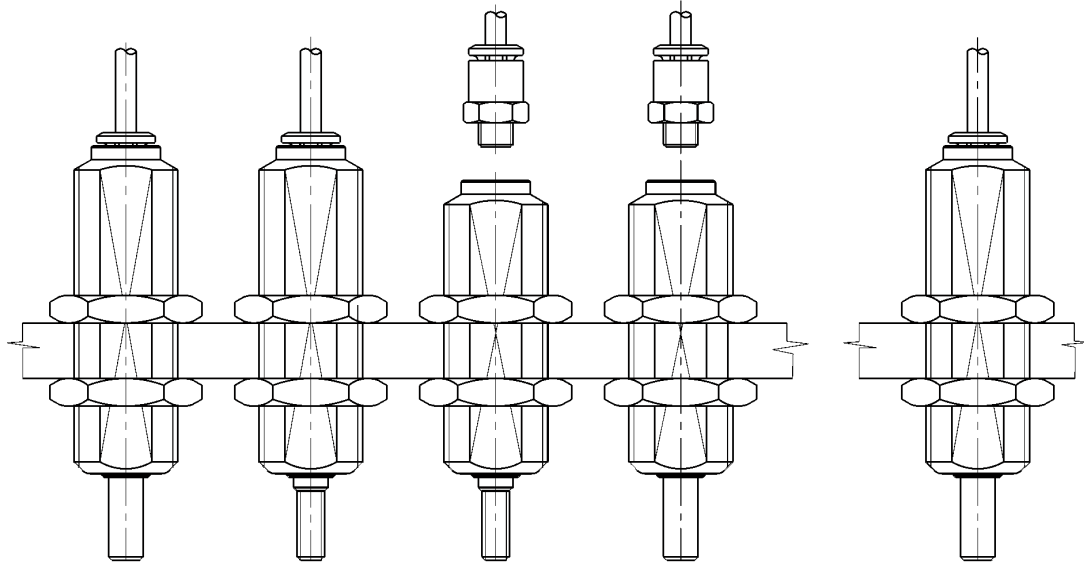
GENERAL DATA

Type of construction	compact
Operation	single-acting
Materials	body OT 58 - NBR seals - other stainless steel
Operating pressure	P. min 2.5 bar - P. max 8 bar
Operating temperature	0 - 80°C (with dry air -20°C)
Fluid	clean air, with or without lubrication
Bore	dia. 6 - 10 - 16
Stroke	see table
Mounting method	by means of threaded body



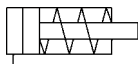
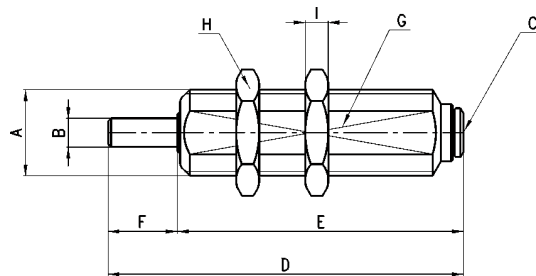
CYLINDERS

Example of assembly



Compact minicylinders with non threaded piston rod Mod. 14N1A...

Super-Rapid fitting incorporated.



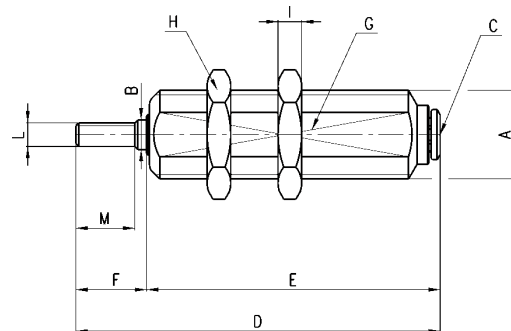
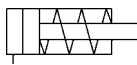
DIMENSIONS

Mod.	∅	Stroke	A	B	C	D	E	F	SW G	SW H	I
14N1A06A05	6	5	M10x1	3	4/2	34	29	5	9	12	3
14N1A06A10	6	10	M10x1	3	4/2	42	37	5	9	12	3
14N1A06A15	6	15	M10x1	3	4/2	47	42	5	9	12	3
14N1A10A05	10	5	M15x1,5	5	4/2	50	38	12	13	19	4
14N1A10A10	10	10	M15x1,5	5	4/2	57	45	12	13	19	4
14N1A10A15	10	15	M15x1,5	5	4/2	62	50	12	13	19	4
14N1A16A05	16	5	M22x1,5	6	4/2	53,5	39,5	14	20	27	5
14N1A16A10	16	10	M22x1,5	6	4/2	62	48	14	20	27	5
14N1A16A15	16	15	M22x1,5	6	4/2	67	53	14	20	27	5

The company reserves the right to vary models and dimensions without notice. These products are designed for industrial applications and are not suitable for sale to the general public.

Compact minicylinders with threaded piston rod Mod. 14N1A...

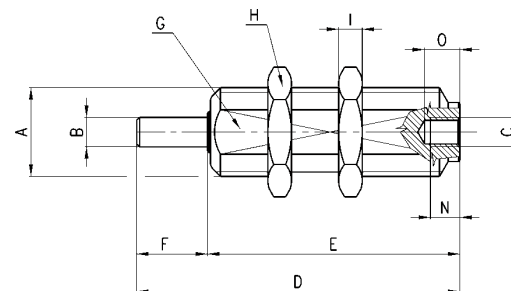
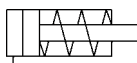
Super-Rapid fitting incorporated.

**DIMENSIONS**

Mod.	\varnothing	Stroke	A	B	C	D	E	F	SW G	SW H	I	L	M
14N1A06B05	6	5	M10x1	3	4/2	38	29	9	9	12	3	M3x0,5	7
14N1A06B10	6	10	M10x1	3	4/2	46	37	9	9	12	3	M3x0,5	7
14N1A06B15	6	15	M10x1	3	4/2	51	42	9	9	12	3	M3x0,5	7
14N1A10B05	10	5	M15x1,5	5	4/2	50	38	12	13	19	4	M4x0,7	10
14N1A10B10	10	10	M15x1,5	5	4/2	57	45	12	13	19	4	M4x0,7	10
14N1A10B15	10	15	M15x1,5	5	4/2	62	50	12	13	19	4	M4x0,7	10
14N1A16B05	16	5	M22x1,5	6	4/2	53,5	39,5	14	20	27	5	M5x0,8	12
14N1A16B10	16	10	M22x1,5	6	4/2	62	48	14	20	27	5	M5x0,8	12
14N1A16B15	16	15	M22x1,5	6	4/2	67	53	14	20	27	5	M5x0,8	12

Compact minicylinders with non threaded piston rod Mod. 14N1M...

Threaded port.

**DIMENSIONS**

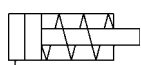
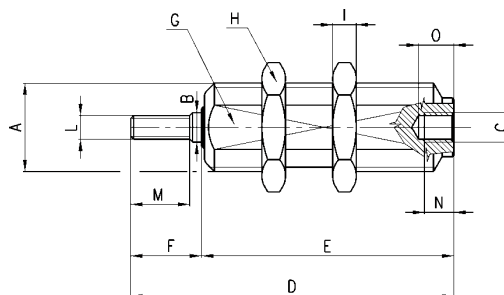
Mod.	\varnothing	Stroke	A	B	C	D	E	F	SW G	SW H	I	N	O
14N1M06A05	6	5	M10x1	3	M5	28	23	5	9	12	3	5	6
14N1M06A10	6	10	M10x1	3	M5	36	31	5	9	12	3	5	6
14N1M06A15	6	15	M10x1	3	M5	41	36	5	9	12	3	5	6
14N1M10A05	10	5	M15x1,5	5	M5	43	31	12	13	19	4	5	6
14N1M10A10	10	10	M15x1,5	5	M5	50	38	12	13	19	4	5	6
14N1M10A15	10	15	M15x1,5	5	M5	55	43	12	13	19	4	5	6
14N1M16A05	16	5	M22x1,5	6	M5	46,5	32,5	14	20	27	5	5	6
14N1M16A10	16	10	M22x1,5	6	M5	55,5	41,5	14	20	27	5	5	6
14N1M16A15	16	15	M22x1,5	6	M5	60,5	46,5	14	20	27	5	5	6



CYLINDERS

Compact minicylinders with threaded piston rod Mod. 14N1M...

Threaded port.



DIMENSIONS															
Mod.	∅	Stroke	A	B	C	D	E	F	SW G	SW H	I	L	M	N	O
14N1M06B05	6	5	M10x1	3	M5	32	23	9	9	12	3	M3x0,5	7	5	6
14N1M06B10	6	10	M10x1	3	M5	40	31	9	9	12	3	M3x0,5	7	5	6
14N1M06B15	6	15	M10x1	3	M5	45	36	9	9	12	3	M3x0,5	7	5	6
14N1M10B05	10	5	M15x1,5	5	M5	43	31	12	13	19	4	M4x0,7	10	5	6
14N1M10B10	10	10	M15x1,5	5	M5	50	38	12	13	19	4	M4x0,7	10	5	6
14N1M10B15	10	15	M15x1,5	5	M5	55	43	12	13	19	4	M4x0,7	10	5	6
14N1M16B05	16	5	M22x1,5	6	M5	46,5	32,5	14	20	27	5	M5x0,8	12	5	6
14N1M16B10	16	10	M22x1,5	6	M5	55,5	41,5	14	20	27	5	M5x0,8	12	5	6
14N1M16B15	16	15	M22x1,5	6	M5	60,5	46,5	14	20	27	5	M5x0,8	12	5	6